

COMPACT PALLETIZER

An affordable
end of line
palletizing solution!



Stop hand
stacking



Patent # 9,511,957



- Palletize Boxes, Bags or Pails by placing this equipment at the end of your line.
- Reduce or eliminate costly repetitive injuries associated with palletizing.
- Affordable lease options available. Be cash flow positive right away.
- Return On your Investment in less than two years.



roi
machinery & automation

ROI Machinery & Automation Inc
1534 Cher Dr. Bldg. 2
Durham, NC 27713
PH: 919-788-7728
www.ROIMachinery.com

Compact Palletizer

The Compact Solution for End of Line Palletizing!

The ROI Compact Palletizer is the answer for many end of line palletizing operations. With a small footprint in a pre-assembled package, the ROI Compact Palletizer is easy to set up, and quickly provides a return on your investment.

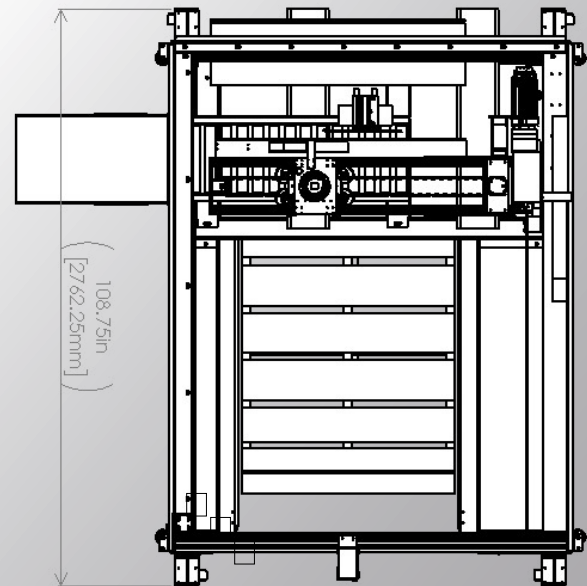
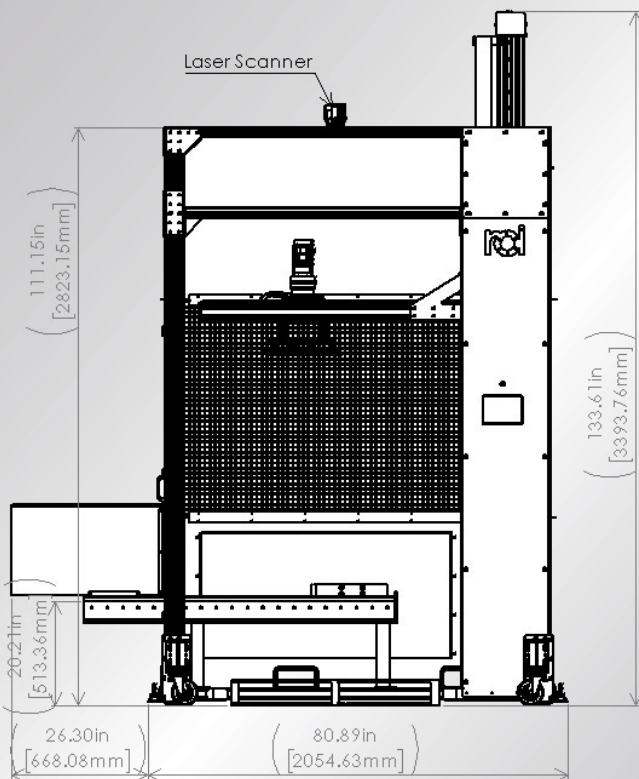
Palletizing operations for slow to moderate rate packaging lines are a problem for most companies. Repetitive motion injuries and training / re-training costs can eat away at productivity and profits.

Space constraints in existing facilities are also a challenge. Reconfiguring production lines for end of line automation is typically prohibitive or nearly impossible without major and costly changes.

The ROI Compact Palletizer may be the solution you have been looking for. The small size easily fits into existing tight spaces, typically not taking more space than what is currently being used for manual palletizing. The system also eliminates the ergonomic and repetitive motion issues of manual palletizing operations



CP100-8-L



Patent # 9,511,957

The base model allows for pallet jack loading and removal of pallets from the palletizer. A hinged door provides access to the side and a laser scanner is used to guard the pallet entrance / exit.

Multiple pallet patterns are pre-programmed allowing quick production changes.



Compact Palletizer

Features / Specifications:

Maximum capacity: 100 kg (220 lbs)

Product type: Cartons, Bags, Pails, etc.

Palletizing Rate: 8 - 10 cycles per minute.

NOTE: can handle multiple boxes or pails in one pick to increase the palletizing rates.

Palletizing Height:

Model CP100-8 - up to 8' high (96")

Model CP100-5 - up to 5' high (60")

Structure: Heavy duty welded tubular steel base and aluminum profile or steel frame. Preassembled on casters for transport and easy positioning.

Enclosure: Aluminum diamond plate panels and 1" Wire mesh panels or polycarbonate panels on 3 sides.

Overall Height: CP100-8 - 11'3"

CP100-5 - 8'6"

Tooling: Single zone vacuum tool for cartons.

More end of arm tools are available.

Conveyor: Powered conveyor, 72" long, conveys product into the palletizer.

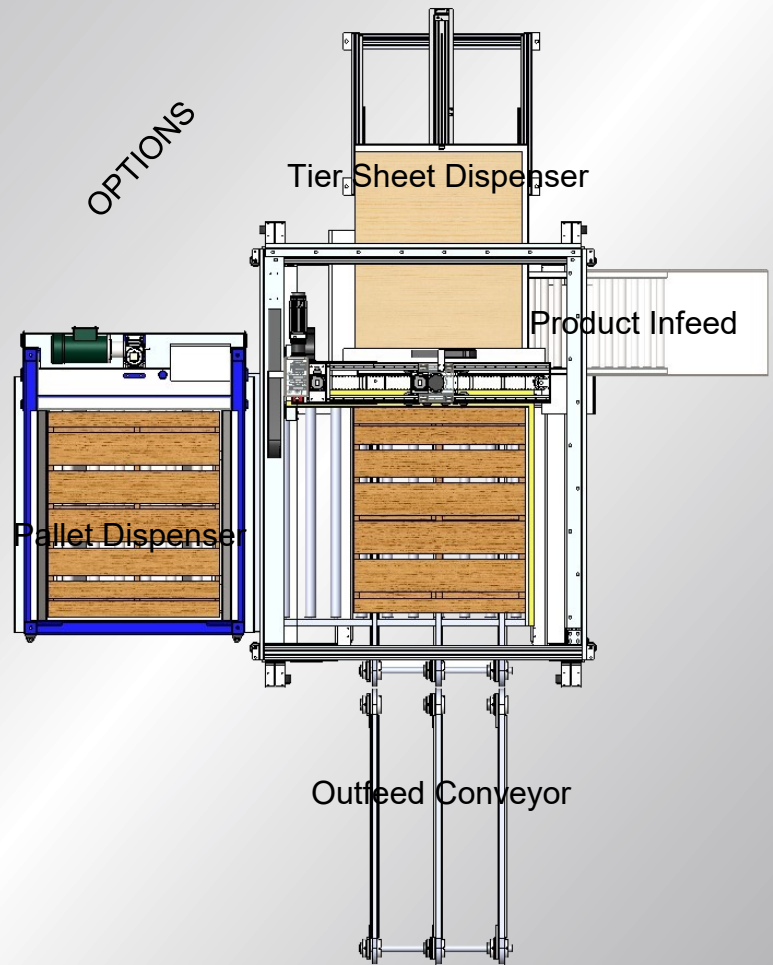
Safety: Integrated safety controls and access Interlock / safety scanner.

Controls: Integrated control system with HMI interface to select pallet programs.

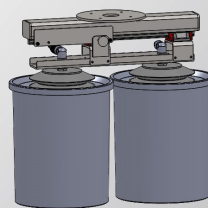
Power: 230 VAC – 3p 26 amps or

460 VAC – 3p 14 amps

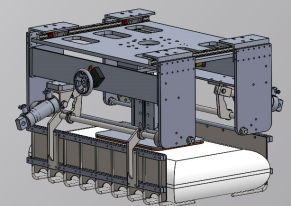
Compressed Air: 13-20 scfm @ 80 psi



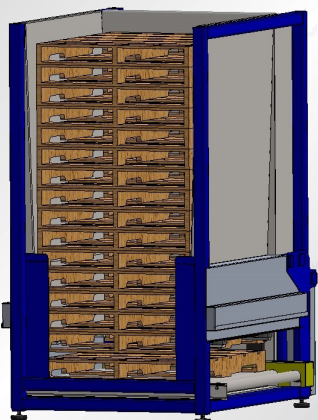
Add pre-engineered and integrated equipment for even more productivity.



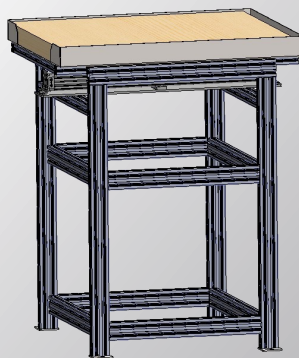
Pail Gripper



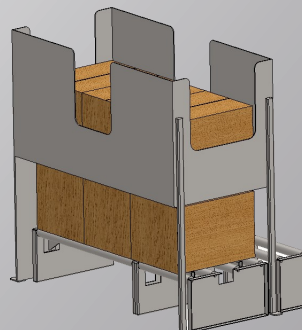
Bag Gripper



Pallet Dispenser



Tier Sheet Dispenser



Box Buffering

Compact Palletizer

Questionnaire

Company Name: _____

Contact: _____

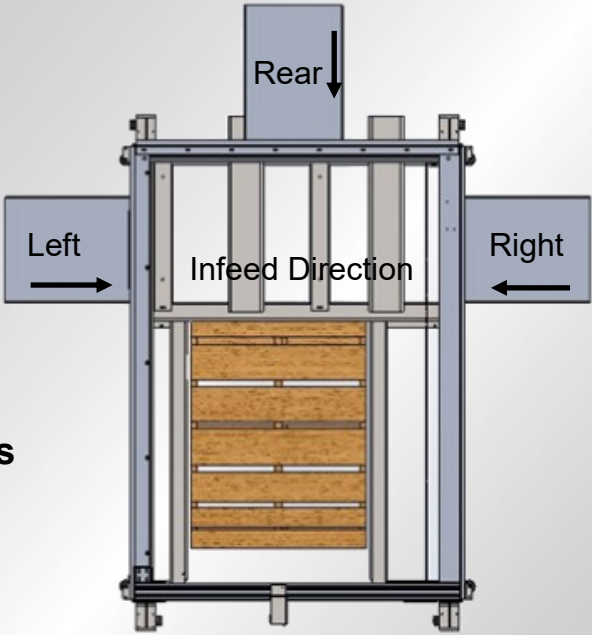
Address: _____

City, State, Zip: _____

Phone: _____

Email: _____

Project Name: _____



Basic Configuration Details

Stack Height: Up to 8 ft.

Up to 5 ft.

Infeed position: _____

Infeed (line) Height: _____

Rates: Parts / Min _____

Number of Pallet Patterns: _____ Patterns Submitted with Quote: Yes No

Voltage Requirement: 208 - 3phase 60Hz 26a 460V - 3phase 60Hz 14a

What are you palletizing: Boxes Bags Pails Other: _____

Dims: Box 1: _____ weight: _____ Box 4: _____ weight: _____

Box 2: _____ weight: _____ Box 5: _____ weight: _____

Box 3: _____ weight: _____ Box 6: _____ weight: _____

Dims: Bag 1: _____ weight: _____ Box 2: _____ weight: _____

Pail Info: _____ weight _____ (For more products, attach another sheet)

OPTIONS: Automated Pallet Feed Product Infeed conveyor(s) Tool Changer

Extra Box Gripper Bag Gripper Pail Gripper Box Buffering System

Installation Service Agreement Other: _____

Is label orientation important: Yes No Specify location of label: _____

What is your package material(s): _____ Open top: Yes No

What is the maximum stack height: _____ Overhead clearance: _____

Other Information: